

**PREMIUM ATL VINYL FIXED WINDOW**

Max Frame	DP RATING IMPACT
52 1/8 x 75	+/-55
	NO

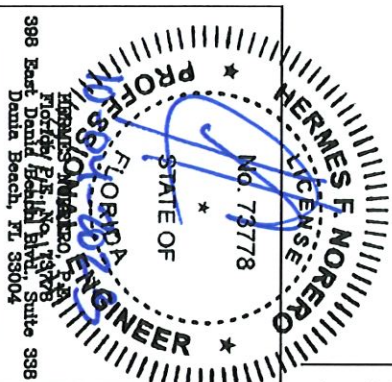
**Installation Notes:**

1. Seal flange/frame to substrate.
2. Use #10 PH or greater fastener through the nail fin with sufficient length to penetrate a minimum of 1 1/2" into the wood framing. For 2X wood frame substrate (min. S.G. = 0.42).
3. Host structure (wood buck, masonry, steel) to be designed and anchored to properly transfer all loads to the structure. The host structure is the responsibility of the architect or engineer of record for the project of installation.

This schedule addresses only the fasteners required to anchor the window to achieve the rated design pressure up to the size limitations noted. It is not intended as a guide to the installation process and does not address he sealing consideration that may arise in different wall conditions. For the complete installation procedure, see the instructions packaged with the window or go to [www.jeld-wen.com/resources/installation](http://www.jeld-wen.com/resources/installation).

**DISCLAIMER:**

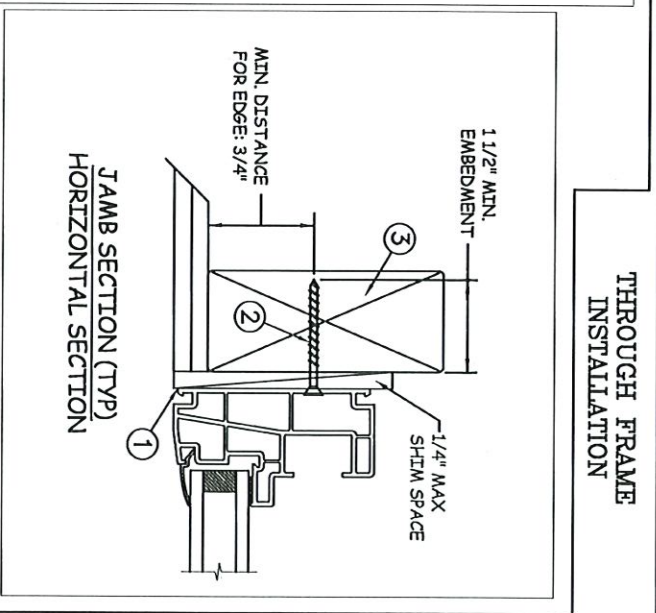
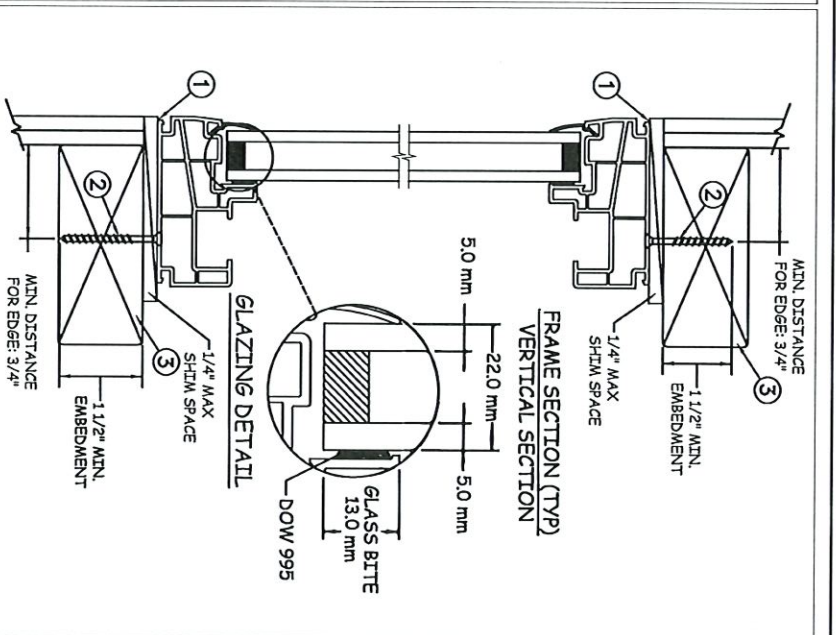
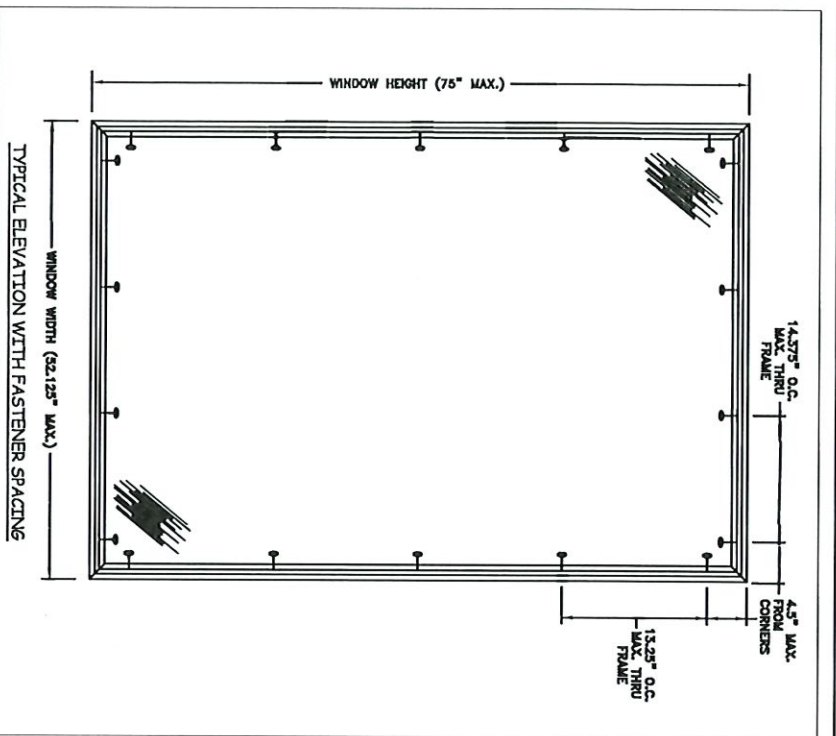
This drawing and its contents are confidential and are not to be reproduced or copied in whole or in part or used or disclosed to others except as authorized by JELD-WEN Inc.



**General Notes:**

1. The product shown herein is designed, tested and manufactured to comply with the wind load criteria of the adopted International Building Code(IBC), the International Residential Code(IRC), the Florida Building Code(FBC) including HVHZ and the industry requirement for the stated conditions.
2. All glazing shall conform to ASTM E1300.
3. At minimum, glazing shall be 5 mm annealed glass / 13 mm airspace / 5 mm annealed glass.
4. Use structural or composite shims where required.
5. Installation methods can be interchanged within the same opening.
6. An impact protective system is required where wind borne debris protection is mandated by local building code.
7. Maximum sizes are buck sizes and do not include fin or flange.

PROJECT ENGINEER:	DATE:	3737 Lakeport Blvd
DRAWN BY:	SCALE:	Klamath Falls, OR. 97601
D. Vezo	N.T.S.	Phone: (541) 882-3451
CHECKED BY:	TITLE:	Premium Atlantic Vinyl Fixed
J. Kantola		Nail Fin Installation (52.125" x 75")
APPROVED BY:		
PART/PROJECT No.:		
D00099460		
IDENTIFIER No.:	PLANT NAME AND LOCATION:	CAD DWG. No.:
NCTL210-3911-1	FBC	REV: 00
		SHEET 1 OF 4



PREMIUM ATL VINYL FIXED WINDOW

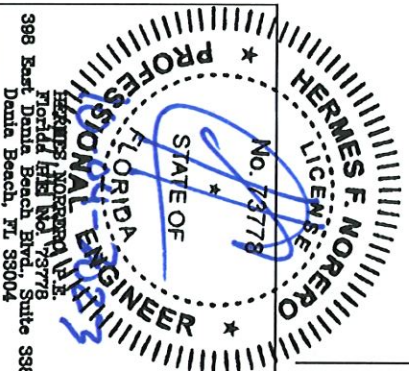
Max Frame	DP RATING/IMPACT	
52 1/8 x 75	+/-55	NO

- Installation Notes:**
1. Seal flange/frame to substrate.
  2. Use #10 PH or greater fastener through the frame with sufficient length to penetrate a minimum of 1 1/2" into the wood framing. For 2X wood frame substrate (min. S.G. = 0.42).
  3. Host structure (wood buck, masonry, steel) to be designed and anchored to properly transfer all loads to the structure. The host structure is the responsibility of the architect or engineer of record for the project of installation.

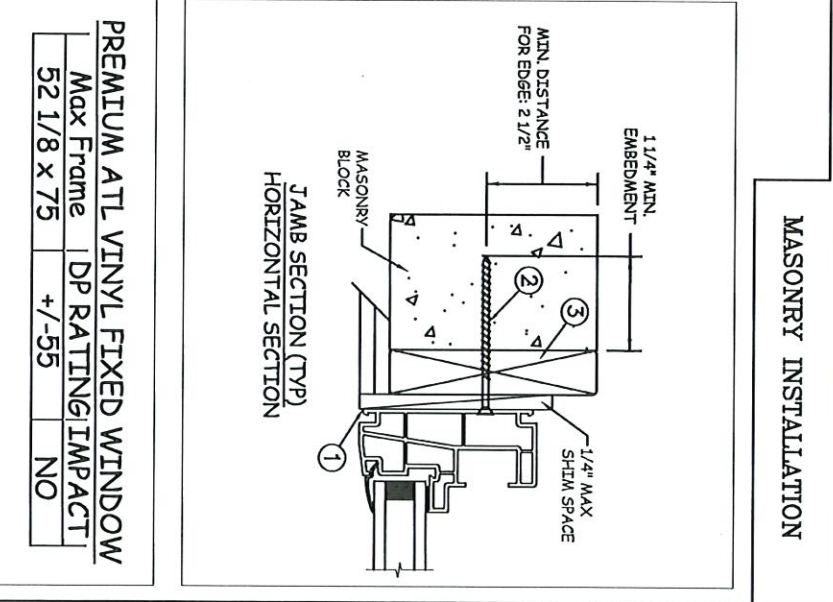
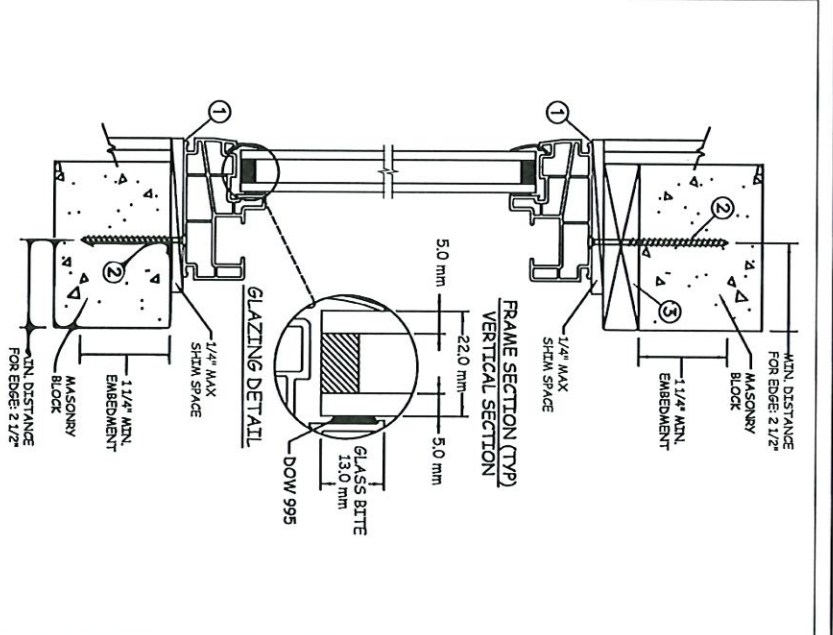
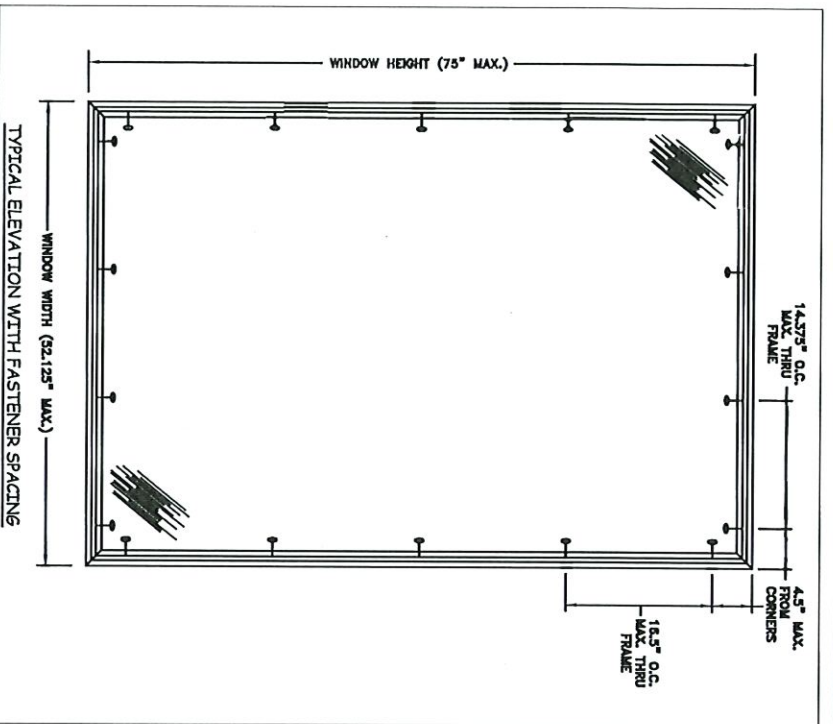
- General Notes:**
1. The product shown herein is designed, tested and manufactured to comply with the wind load criteria of the adopted International Building Code(IBC), the International Residential Code(IRC), the Florida Building Code(FBC) including HVHZ and the industry requirement for the stated conditions.
  2. All glazing shall conform to ASTM E1300.
  3. At minimum, glazing shall be 5 mm annealed glass / 13 mm airspace / 5 mm annealed glass.
  4. Use structural or composite shims where required.
  5. Installation methods can be interchanged within the same opening.
  6. An impact protective system is required where wind borne debris protection is mandated by local building code.
  7. Maximum sizes are buck sizes and do not include fin or flange.

This schedule addresses only the fasteners required to anchor the window to achieve the rated design pressure up to the size limitations noted. It is not intended as a guide to the installation process and does not address he sealing consideration that may arise in different wall conditions. For the complete installation procedure, see the instructions packaged with the window or go to [www.jeld-wen.com/resources/installation](http://www.jeld-wen.com/resources/installation).

**DISCLAIMER:**  
This drawing and its contents are confidential and are not to be reproduced or copied in whole or in part or used or disclosed to others except as authorized by JELD-WEN Inc.



PROJECT ENGINEER:	DATE:	10/15/2013
DRAWN BY:	SCALE:	NTS
CHECKED BY:	TITLE:	Premium Atlantic Vinyl Fixed Through Frame Installation (52.125" x 75")
APPROVED BY:		
PART/PROJECT NO.:	PLANT NAME AND LOCATION:	
DRAWING NO.:	QAD DWG. NO.:	
IDENTIFIER NO.:	REV.:	00
NCTL10-3911-1-FBC	SHEET:	2 OF 4



- Installation Notes:**
1. Seal flange/frame to substrate.
  2. Use 3/16" Tapcon or equivalent fasteners through frame with sufficient length to penetrate a minimum of 1 1/4" into concrete or masonry at each location with a 2 1/2" min from edge distance. For concrete (min.  $f_c = 3000\text{psi}$ ) or masonry substrate (CMU shall adhere to ASTM C90).
  3. Host structure (wood buck, masonry, steel) to be designed and anchored to properly transfer all loads to the structure. The host structure is the responsibility of the architect or engineer of record for the project of installation.

This schedule addresses only the fasteners required to anchor the window to achieve the rated design pressure up to the size limitations noted. It is not intended as a guide to the installation process and does not address he sealing consideration that may arise in different wall conditions. For the complete installation procedure, see the instructions packaged with the window or go to [www.jeld-wen.com/resources/installation](http://www.jeld-wen.com/resources/installation).

**DISCLAIMER:**

This drawing and its contents are confidential and are not to be reproduced or copied in whole or in part or used or disclosed to others except as authorized by JELD-WEN Inc.

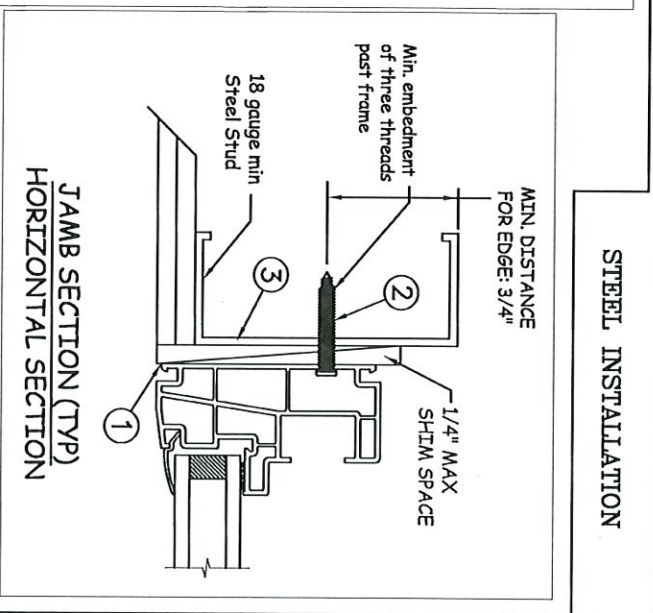
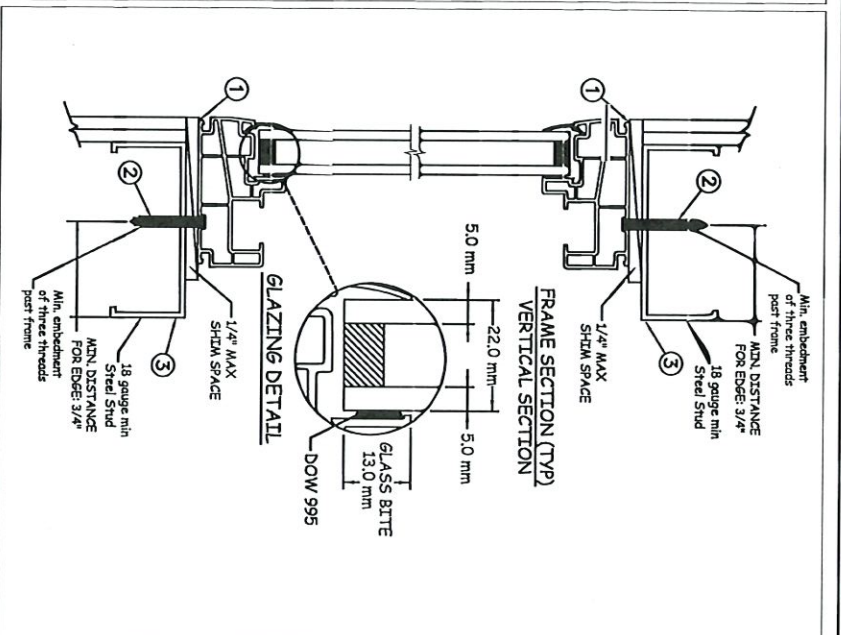
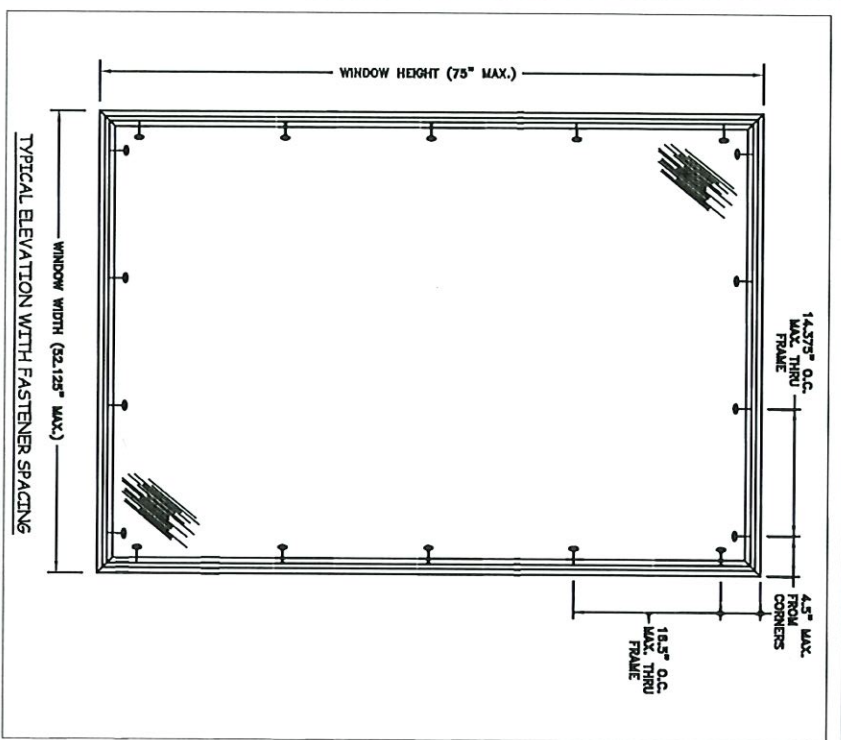


- General Notes:**
1. The product shown herein is designed, tested and manufactured to comply with the wind load criteria of the adopted International Building Code(IBC), the International Residential Code(IRC), the Florida Building Code(FBC) including HVHZ and the industry requirement for the stated conditions.
  2. All glazing shall conform to ASTM E1300.
  3. At minimum, glazing shall be 5 mm annealed glass / 13 mm airspace / 5 mm annealed glass.
  4. Use structural or composite shims where required.
  5. Installation methods can be interchanged within the same opening.
  6. An impact protective system is required where wind borne debris protection is mandated by local building code.
  7. Maximum sizes are buck sizes and do not include fin or flange.

PROJECT ENGINEER:	DATE:	10/15/2013
DRAWN BY:	SCALE:	NTS
D. VEZO	TITLE:	Premium Atlantic Vinyl Fixed Masonry Installation (52.125" x 75")
CHECKED BY:		
J. KANTOLA		
APPROVED BY:		
PART/PROJECT NO.:	PLANT NAME AND LOCATION:	
D009460	FBC	
IDENTIFIER NO.:	QAD DWG. NO.:	
NCTL210-3911-1		
	REV:	00
	SHEET	3 OF 4

**JELD-WEN**

3737 Lakeport Blvd  
Klamath Falls, OR. 97601  
Phone: (541) 882-3451



**PREMIUM ATL VINYL FIXED WINDOW**

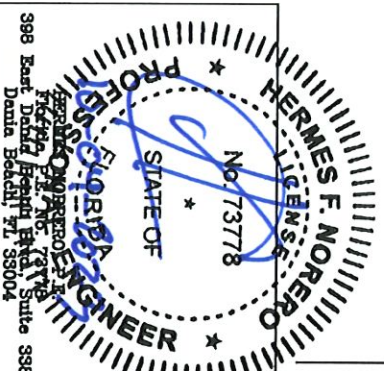
Max Frame	DP RATING IMPACT
52 1/8 x 75	+/-55
	NO

- Installation Notes:**
1. Seal flange/frame to substrate.
  2. For anchoring into metal framing use #10 TEK Self Tapping screws with sufficient length to achieve a minimum embedment of three threads past the frame thickness. Steel substrate min. 18ga.,  $f_y = 33$  ksi.
  3. Host structure (wood buck, masonry, steel) to be designed and anchored to properly transfer all loads to the structure. The host structure is the responsibility of the architect or engineer of record for the project of installation.

This schedule addresses only the fasteners required to anchor the window to achieve the rated design pressure up to the size limitations noted. It is not intended as a guide to the installation process and does not address he sealing consideration that may arise in different wall conditions. For the complete installation procedure, see the instructions packaged with the window or go to [www.jeld-wen.com/resources/installation](http://www.jeld-wen.com/resources/installation).

**DISCLAIMER:**

This drawing and its contents are confidential and are not to be reproduced or copied in whole or in part or used or disclosed to others except as authorized by JELD-WEN Inc.



- General Notes:**
1. The product shown herein is designed, tested and manufactured to comply with the wind load criteria of the adopted International Building Code(IBC), the International Residential Code(IRC), the Florida Building Code(FBC) including HVHZ and the industry requirement for the stated conditions.
  2. All glazing shall conform to ASTM E1300.
  3. At minimum, glazing shall be 5 mm annealed glass / 13 mm airspace / 5 mm annealed glass.
  4. Use structural or composite shims where required.
  5. Installation methods can be interchanged within the same opening.
  6. An impact protective system is required where wind borne debris protection is mandated by local building code.
  7. Maximum sizes are buck sizes and do not include fin or flange.

PROJECT ENGINEER:	DATE:	10/15/2013
DRAWN BY:	SCALE:	NTS
D. VEZO	TITLE:	Premium Atlantic Vinyl Fixed Steel Installation (52.125" x 75")
CHECKED BY:		
J. Kantola		
APPROVED BY:		
PART/PROJECT NO:	PLANT NAME AND LOCATION:	
D009460		
IDENTIFIER NO:	CAD DWG. NO.:	REV:
NCTL210-3911-1-FBC		00
		SHEET
		4 OF 4

**JELD-WEN**  
3737 Lakeport Blvd  
Klamath Falls, OR. 97601  
Phone: (541) 882-3451